



JTGK-750i

High Speed Engraving and Milling CNC Machine

Product descriptions and features

Features

- High stability
- High speed, excellent performance
- User-friendly operation

For Material

Carbon steel, alloy steel, aluminum alloy, copper

Applied Range

Mold, electrode, parts, etc



KEJIE website



KEJIE wechat

Parameters

Item	Parameter
Working area X/Y/Z	620/750/350mm
Work table size	620x750mm
Max load of table	500kg
Spindle power Max spindle speed	5.5kw/30000rpm or 5.5kw/24000rpm or 6.8kw/24000rpm or 12.5kw/24000rpm
Rapid traverse rate	16m/min
Cutting feed rate	10m/min
Positioning accuracy	0.008mm
Repeatability	0.005mm
Weight	3800kg
Machine dimension	2540x1950x2450mm
Power supply	3-PH AC380V ±5% 50Hz

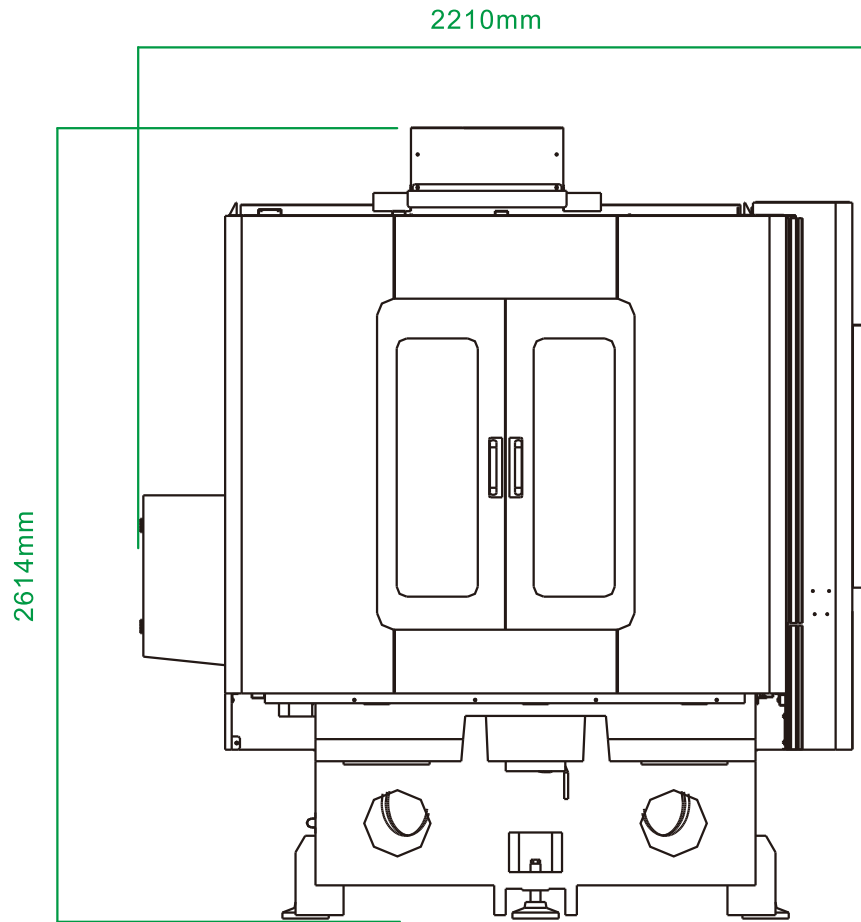
Standard Accessories

- High speed CNC controller
- High speed spindle
- AC servo motor
- Precision ball screw and guide rail
- Tool setting sensor
- Hand Wheel
- Spindle cooling system

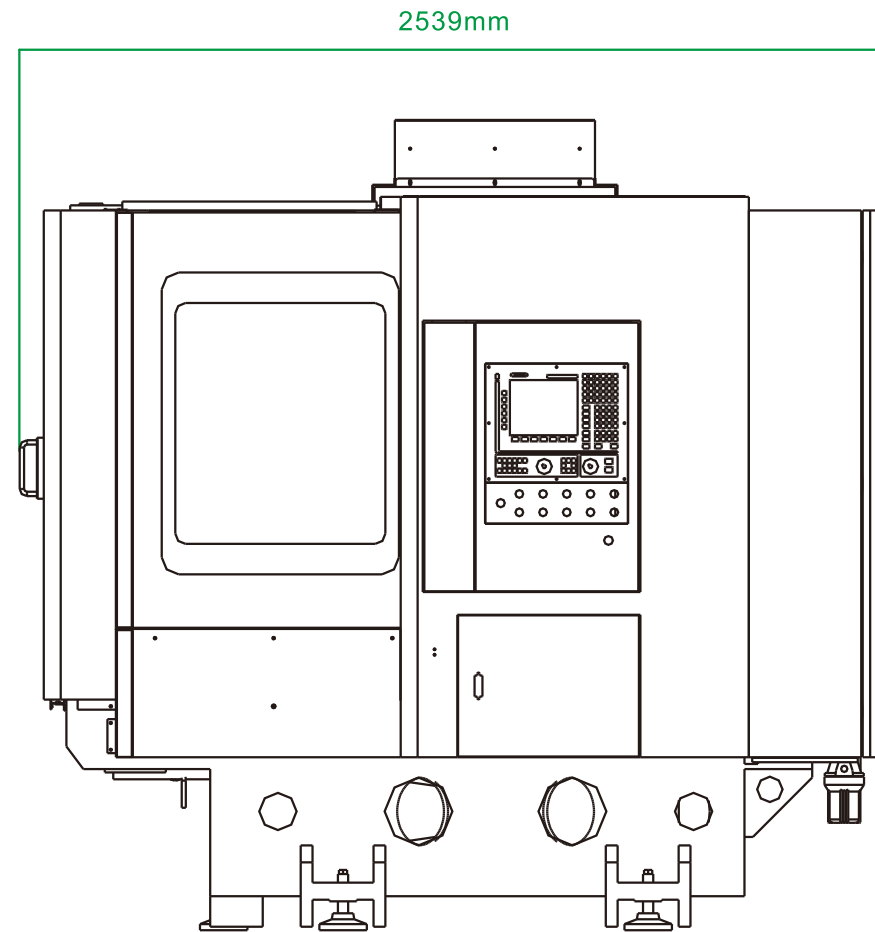
Optional Accessories

- Automatic tool changer
- 4th axis
- Voltage stabilizer
- Oil mist collector
- Probe

Machine dimension



Front



Left